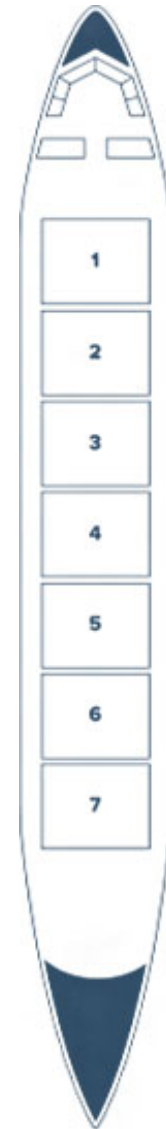


COMBINED COMPARTMENT LOADING

Combinations of Fuel and Various pallet weights can reduce overall allowable load limits. Without consideration for fuel carried the maximum weights allowed per pallet position is:

Cargo Pallet Position	Maximum Weight
1	5,640 lbs (2,558 kg)
2	6,500 lbs (2,948 kg)
3	6,500 lbs (2,948 kg)
4	10,000 lbs (4,535 kg)
5	10,000 lbs (4,535 kg)
6	6,500 lbs (2,948 kg)
7	6,500 lbs (2,948 kg)

*31,000lbs maximum cargo payload



HOURS OF FLIGHT TIME VS. CARGO CARRIED

For every hour in-flight more jet fuel must be carried to operate the aircraft. This table is provided for guidance on maximum cargo weights.

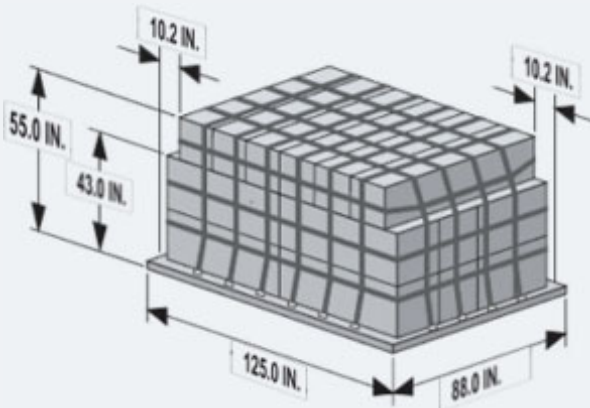
(Distances are approximate and can vary with winds)

Flight Hours	Distance (NM)	Max Total Cargo Weight
Less Than 4	Up to 1800 NM	30,000 lbs (13,607 kg)
4	1800 NM	28,000 lbs (12,700 kg)
5	2200 NM	28,000 lbs (12,700 kg)
6	2600 NM	28,000 lbs (12,700 kg)
7	3000 NM	28,000 lbs (12,700 kg)
8	3400 NM	24,000 lbs (10,886 kg)
9	3800 NM	19,000 lbs (8,618 kg)

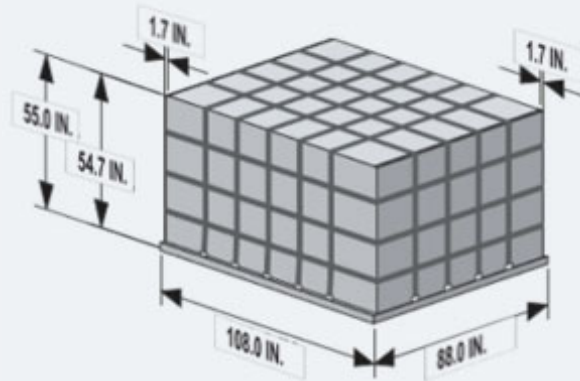
CARGO PALLET SIZES

<p>P1 (SIZE CODE A)</p> <p>Common Code P1 (PA)</p> <p>ULD Base Type 2A1P, 2A2P, 2A3P, 2A4P</p> <p>ULD Net Type 2A1N, 2A2N, 2A3N, 2A4N</p> <p>Dimensions Base: 88.0 in. x 125.0 in. Height: 55.0 in. Volume: 348 cubic feet</p> <p>Allowable CCG Range Vert: 0-36.0 in. Lat: ± 12.5 in. Long: ± 8.8in.</p>	<p>463L (SIZE CODE B)</p> <p>Common Code 463L (HCU-6E) (PB)</p> <p>ULD Base Type 1B6P</p> <p>ULD Net Type 1B6N</p> <p>Dimensions Base: 88.0 in. x 108.0 in. Height: 55.0 in. Volume: 305 cubic feet</p> <p>Allowable CCG Range Vert: 0-36.0 in. Lat: ± 12.5 in. Long: ± 8.8in.</p>
---	--

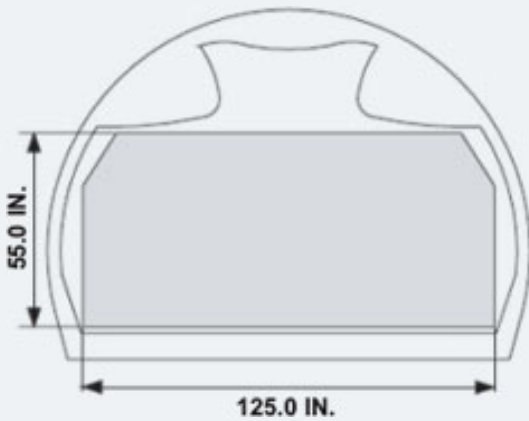
ULD Dimensions



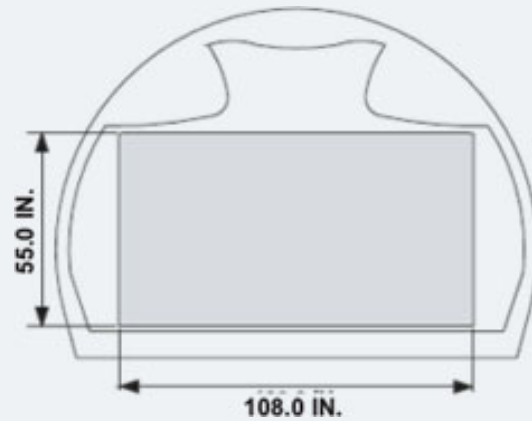
ULD Dimensions



Lateral Position



Lateral Position



(No other pallet type may be loaded)